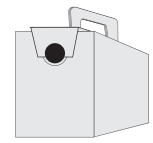
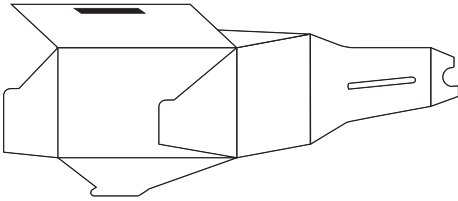




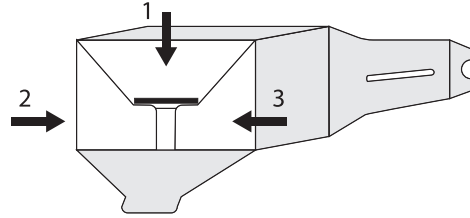
Beverage Container: Assembly Instructions



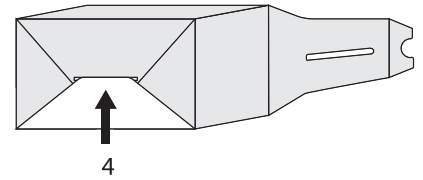
STEP 1: Start at the bottom of the container.



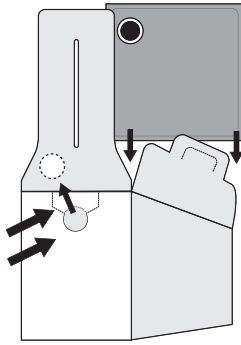
STEP 2: Fold in the three bottom flaps, beginning with the flap that has a cutout.



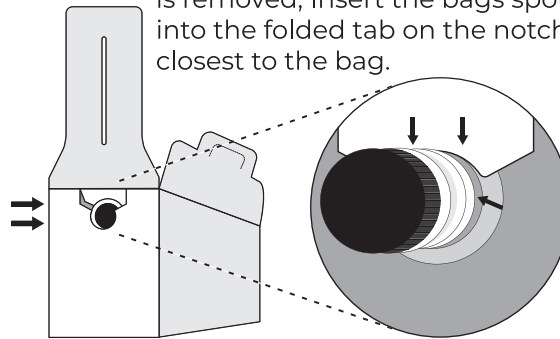
STEP 3: Tuck the last flap into the cut out.



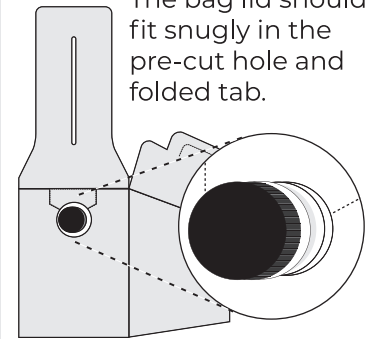
STEP 4: Push in the front tabs, removing only the circular piece. Insert the included EMPTY bag.



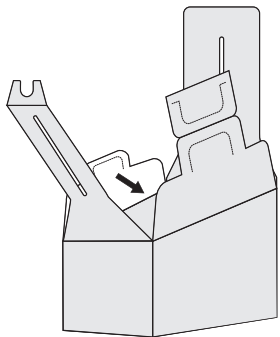
STEP 5: Once the pre-cut circle is removed, Insert the bags spout into the folded tab on the notch closest to the bag.



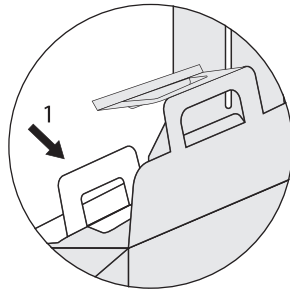
STEP 6: The bag lid should fit snugly in the pre-cut hole and folded tab.



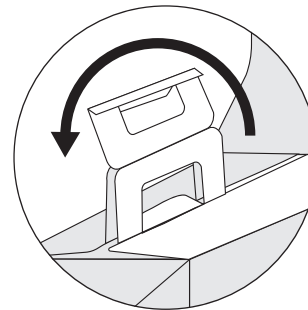
STEP 7: Fold the single handle section inward first.



STEP 8: Fold the single handle down, aligning with the seams.



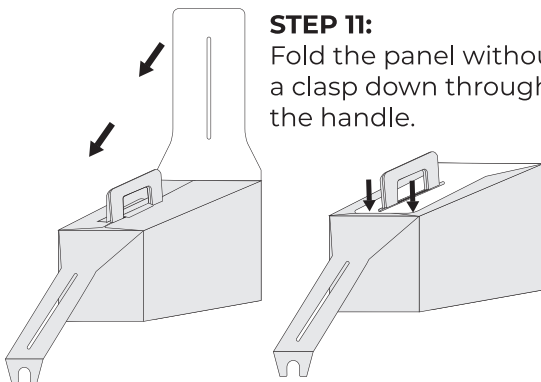
STEP 9: Fold the double handles over the single handle.



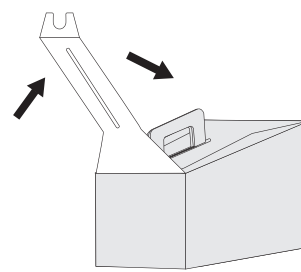
STEP 10: Push the bottom flap through the bottom of the handle.



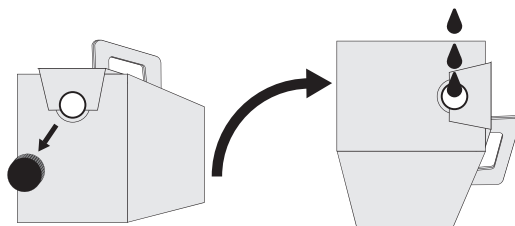
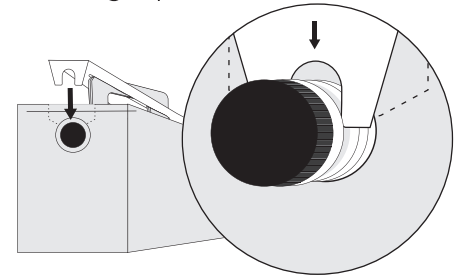
STEP 11: Fold the panel without a clasp down through the handle.



STEP 12: Fold the panel with a clasp down through the handle.



STEP 13: Final Step Fold and attach the clasp to the bags spout neck.



FILLING THE BLADDER:

Once assembled, remove the lid and rotate the container so the bag opening faces upward. Fill with your liquid of choice; a funnel is recommended to prevent spills.

DO NOT PUT CONTAINER OR BAG IN THE MICROWAVE!